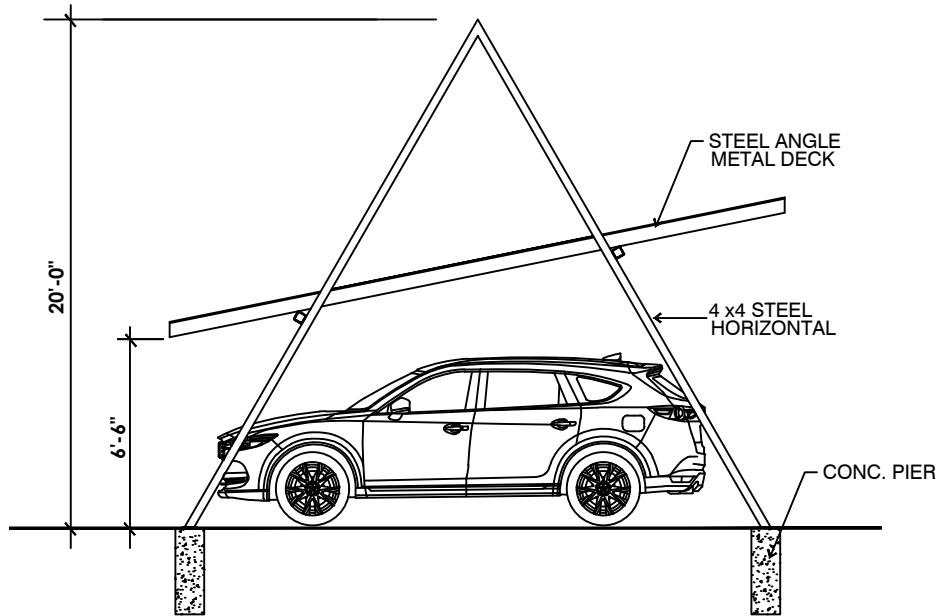


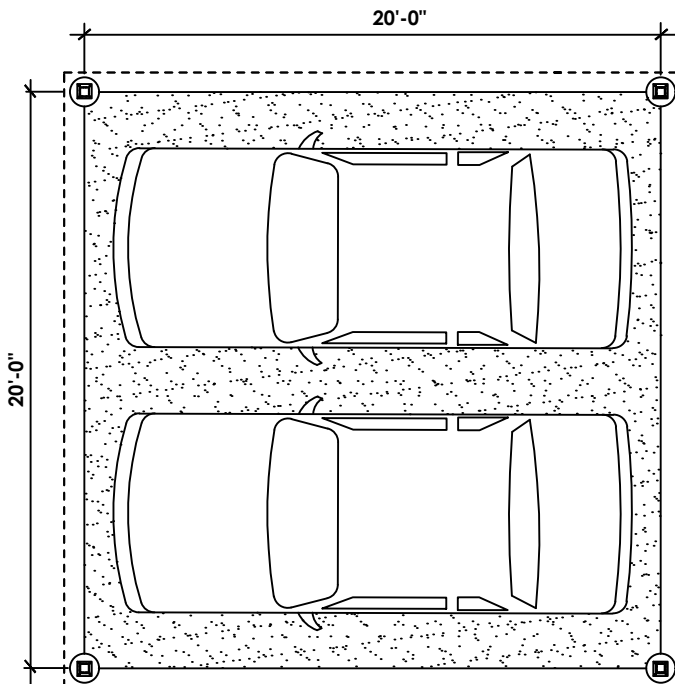
FIRESKY

RURAL CARPORT

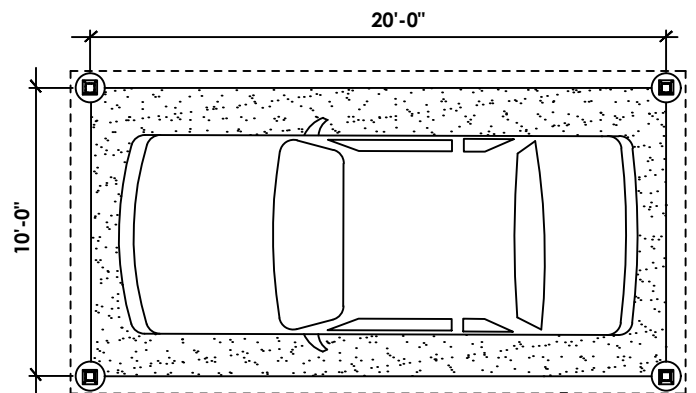
1-2 VEHICLES



SIDE VIEW



TWO CAR PLAN



ONE CAR PLAN

OPEN 1 - 2 STEEL FRAMED CARPORT
WITH PIER FOUNDATIONS
TRANSOM WINDOWS

OPTIONS
STORAGE AREA
GRAVEL/CONCRETE SLAB
PAINTED COLOR

ALL RIGHTS RESERVED ON ALL MATERIAL, FLOOR PLANS AND RENDERINGS CONTAINED THEREIN, AND ON ALL MATERIAL PRODUCED BY FIRESKY MODERN RURAL HOUSES, INCLUDING THE RIGHT OF REPRODUCTION OR USE, IN WHOLE OR IN PART, IN ANY FORM OF ANY FLOOR PLAN OR HOUSE DESIGN WITHOUT THE PRIOR WRITTEN PERMISSION OF FIRESKY MODERN RURAL HOUSES,